

1

2

3

4

5

6

A

B

C

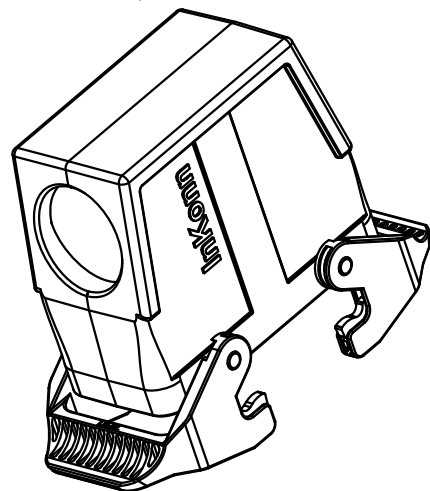
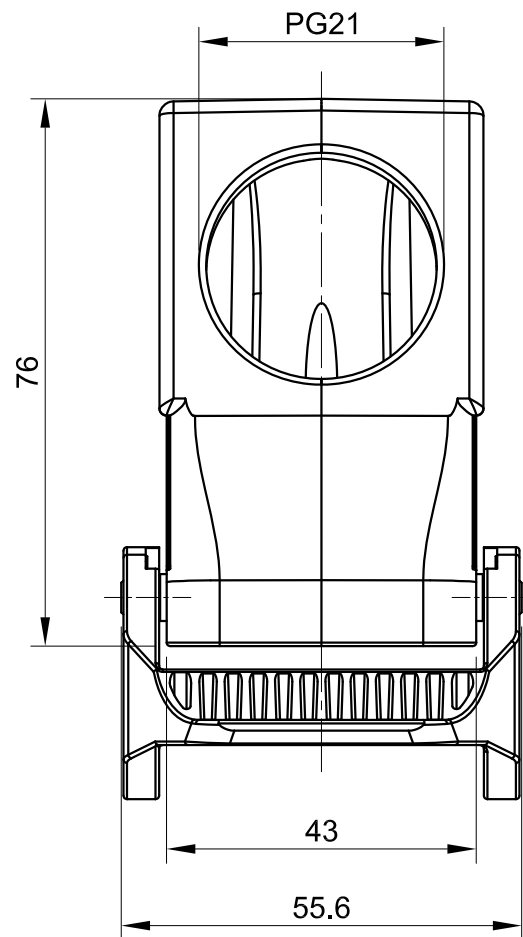
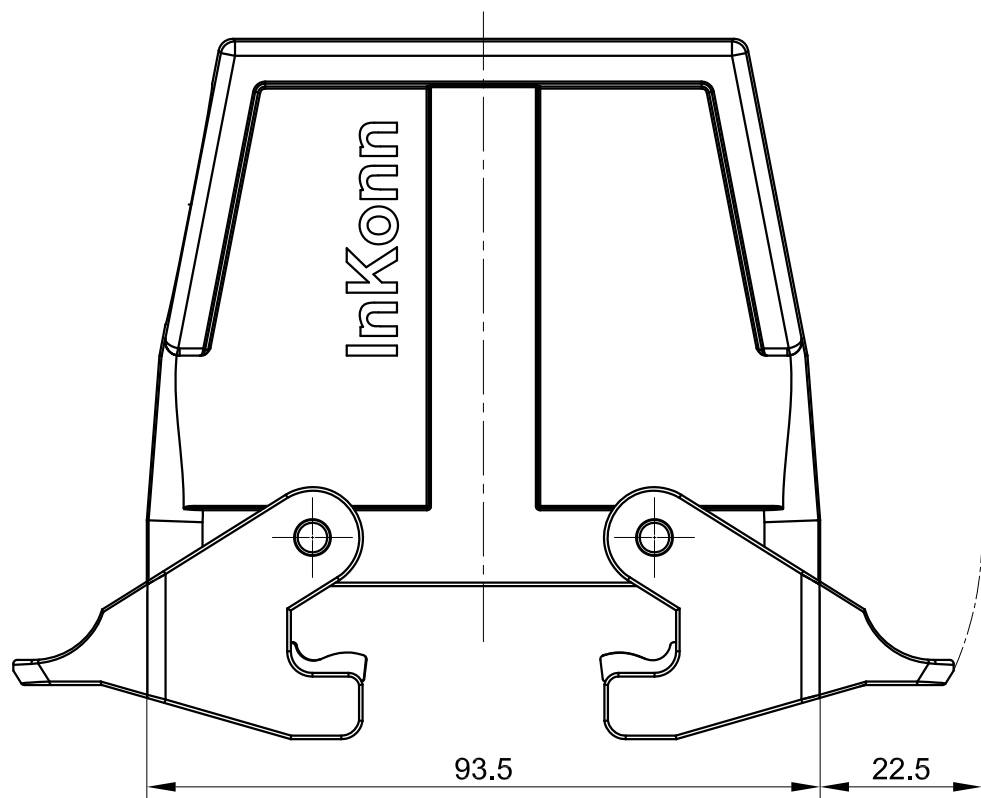
D



A

B

C

D



 InKonn (Suzhou) Electric Technology Co.,Ltd.	 All Dimensions in mm Original Size DIN A4	Date 2019-11-15	Drawing No. TC8676292	Rev. A00	Scale 1:1
	Part No. 10 11 816 1123	Created by Shuxu Huang	Checked by Yiyi Luo	Page 1/1	
Type Name HB16-HSE-DL-PG21					

1

2

3

4

5

6